

SPECIFICATIONS: FM2P 6X4 PRIME MOVER

HINO 500 SERIES



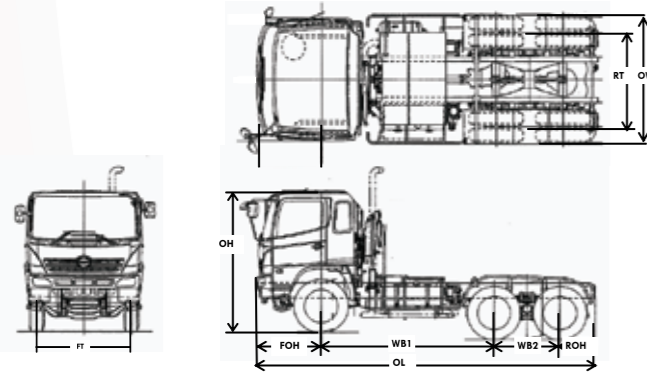
500 Series

FM2PKPA
GCW 60,000kg
6 x 4 PRIME MOVER



ITEM		FM2PKPA	
Engine	Model	HINO P11C - UV (Euro 3)	
	Type	Diesel, 6-cylinder, Vertical-in-line, Overhead Valve, Water Cooled	
	Displacement	L	10.520
	Max. Output (JIS Gross)	Kw(PS)/rpm	288 kW (391 PS) at 2,100 rpm
	Max. Torque (JIS Gross)	Nm(kgfm)/rpm	1,314 Nm (134 kgf.m) at 1,500 rpm
	Bore and Stroke	mm	122 X 150 mm
	Fuel Injection System	Electronic Control Common Rail Type	
	Air Intake System	Turbo Charged Intercooled	
	Max. Engine Speed	rpm	2,300
	Clutch	Type	Dry Single Plate with Damper Springs
Control		Hydraulic with Air Booster	
Diameter		mm	430
Transmission	Model	M009	
	Type	Nine (9) Forward and One (1) Reverse Speeds, Overdrive, Synchronesh 2nd - 9th	
	Control	Mechanical Control	
Axle	Front	Type	Reversed Elliot, "I" Section Beam
		Capacity	kg
	Rear	Type	Tandem Axle, Dual Drive with Inter Axle Differential, Full Floating Single Reduction, Single Speed by Hypoid Gears
		Capacity	kg
Brake	Service Brake Type	"S" Cam Type, Leading and Trailing Shoes for Front and Rear Acting on All Wheels	
	Service Brake Control	Full air, Dual Circuits	
	Parking Brake Type	Spring Brake, Acting on Front and Rear Frontward Wheels for Emergency and Parking Brake Purpose	
Suspension	Front	Type	Semi-Elliptic Leaf Springs with Shock Absorbers
	Rear	Type	Trunnion Semi - Elliptic Leaf Springs with Torque Rods
Steering	Type	Telescopic and Tilt Steering Column with Locking Device, Recirculating Ball with Hydraulic Booster, Intergral Type	
	Wheel Type	Eight (8) - Stud Wheels (JIS Type)	
Wheels and Tires	Rim Size	22.5 X 7.50	
	Tire Type	Tubeless	
	Tire Size	11R22.5 - 16PR	
	No. of Tires	Eleven (11) [Including One (1) Spare Tire]	
	Type	24 Volt, Negative Earth	
Electrical	Battery	Two (2) X 12 Volt, Series Connection	
	Capacity	243kC (65 A - h) at 20-hour rate	
	Alternator Capacity	24 Volts, 50Amp	
Fuel Tank Capacity	L	400	
PERFORMANCE			
GCW Rating	kg	60,000	
Performance	Max. Speed	km/h	107.4
	Gradeability	(tan θ) %	21.3
Transmission Gear Ratio	1st	10.178	
	2nd	6.986	
	3rd	5.063	
	4th	3.636	
	5th	2.633	
	6th	1.921	
	7th	1.392	
	8th	1.000	
	9th	0.724	
	Reverse	9.874	
Rear Axle Carrier	Model	THD 17	
	Ratio	5.428	
DIMENSION AND MASS			
Chassis Mass (without standard tool set and spare tyre)	Total	kg	7,200
	Front	kg	3,530
	Rear	kg	3,670
Wheelbase	WB	mm	3,380 + 1,300
Overall Length	OL	mm	6,615
Overall Width	OW	mm	2,455
Overall Height	OH	mm	2,820
Front Overhang	FOH	mm	1,255
Rear Overhang	ROH	mm	680
Road Clearance (at differential case)	RC	mm	255
Front Tire Tread	FT	mm	1,925
Rear Tire Tread	RT	mm	1,860
Turning Radius (on tire)			8,100
Seating Capacity			2

HINO MOTORS SALES (MALAYSIA) SDN. BHD. (Formerly known as HINO MOTORS (MALAYSIA) SDN BHD) is engaged in an ongoing research and development program, and reserves the right to change specification without prior notice in order to pass on to the customer any resulting advances or technical refinements. All specifications of the product are within normal manufacturing allowances and tolerances.



Hino Authorised Dealer :

Ver.03.2013



HINO MOTORS SALES (MALAYSIA) SDN BHD (187863-U)
(Formerly known as HINO MOTORS (MALAYSIA) SDN BHD)

Head Office, Selangor: Lot PT. 24, Jalan 223, Section 51A, 46100 Petaling Jaya, Selangor Darul Ehsan, Malaysia. Tel: (603) 7957 5199 (12 lines) Fax: (603) 7954 3276
Branch, Sarawak: Lot 1076, Block 218, 4th Mile, Penrissen Road, 93250 Kuching, Sarawak, Malaysia. Tel: (082) 451 611 (5 lines) Fax: (082) 451 993
Regional Office, Sabah: Lot 17, 1st Floor, Block B, Bundusan Square, Jalan Bundusan, 88300 Kota Kinabalu, Sabah, Malaysia. Tel: (088) 733 222 Fax: (088) 733 223

www.hino.com.my



24 HOURS
BREAKDOWN SERVICE
FOR TRUCKS
Applicable to West Malaysia
Toll Free: 1800-88-3666
*Terms and Conditions Apply



AIM FOR CUSTOMER TRUST AND CONFIDENCE

AIM FOR CUSTOMER TRUST AND CONFIDENCE



Optimized Cab Space

Better visibility and operability, spacious and quality interior provide drivers the comfort they need.



Air Suspension Driver Seat

The seat provides a variety of adjustments for a suitable and relaxed driving position.



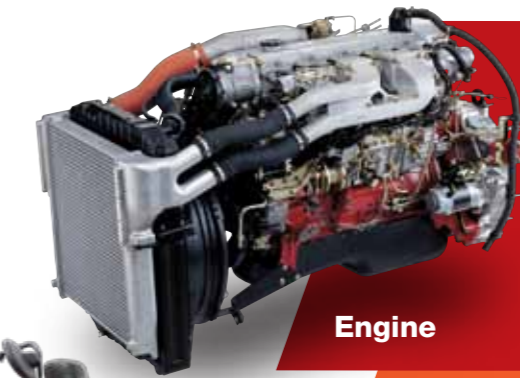
Cab Accessibility

The larger door openings and footsteps allow easy access to enter and exit.



Aerodynamic

Its sleek smooth form is based on our aerodynamic research which helps enhance fuel efficiency.



EURO 3

P11C-UV

Displacement : 10520cc, 6-cylinder in-line, turbo-charged intercooler, Commonrail
 E/G Output : 288kW (391PS) / 2100rpm
 E/G Torque : 1314Nm (134kgf.m) / 1500rpm

Engine



Equipped with Power Window & Central Locking



HINO 500 SERIES

The HINO 500 Series delivers powerful driving performance, high durability, ergonomic comfort as well as good transport quality and flexible body-building capability. It is designed to be your perfect heavy-duty and reliable business partner truck.

Door Impact Beams

High-rigidity door impact beams at the side help to increase driver and passenger safety from a side collision.



Energy-Absorbing Steering Wheel & Column

In the event of a head-on collision, the bendable, energy-absorbing steering wheel and collapsible tilt/telescope steering column help to absorb some of the impact, providing better protection for the driver.



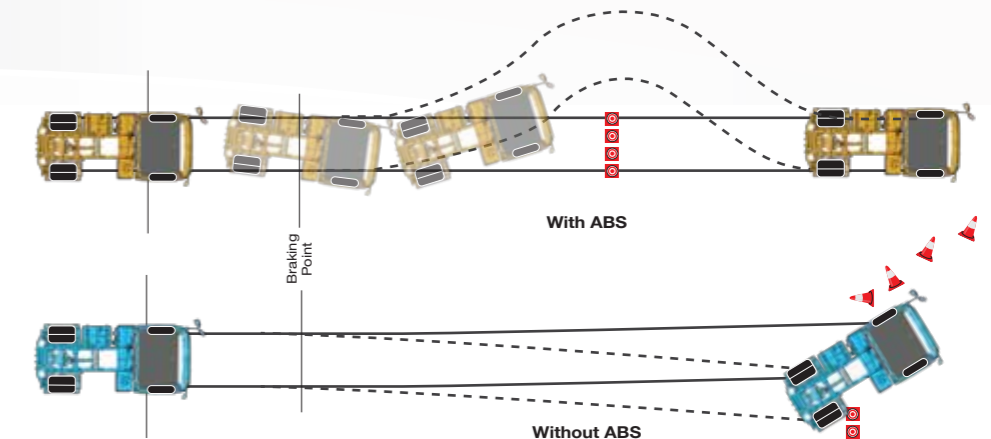
Full Air Brake System

The air brake system is an effective, very durable braking system for use in high mileage or extreme operating condition.



ABS: Antilock Braking System

ABS helps the driver maintain control of the vehicle when braking on a slippery surface by selectively controlling the braking force of individual wheels in order to prevent the wheels from locking.



A truck for every application of bodies to suit your type of business

Legend

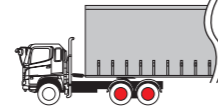
● Drive Axle



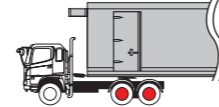
General Cargo



Box Van



Curtain Sider



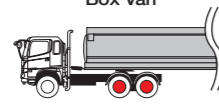
Refrigerated



Tipping Trailer



Roll On Roll Off / Garbage



Tanker

Note: Some Images may be used for Illustration purposes only.