

SPECIFICATIONS : FM2P 6X4 RIGID

# HINO 500 SERIES

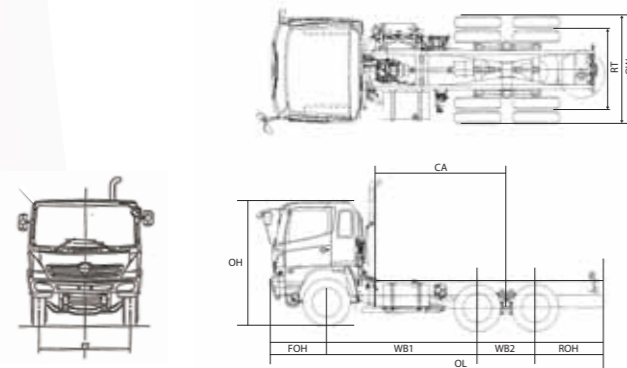


500 Series

**FM2PNPD | FM2PNPM**  
**GVW 26,500kg**  
**6 x 4 RIGID**

ITEM		FM2PNPD	FM2PNPM
Engine	Model	HINO P11C - UB (Euro 2)	
	Type	Diesel, 6-cylinder, Vertical-in-line, Overhead Valve, Water Cooled	
	Displacement	L 10.520	
	Max. Output (JIS Gross)	Kw(PS)/rpm 235 kW (320 PS) at 2,150 rpm	
	Max. Torque (JIS Gross)	Nm(kgfm)/rpm 1,128 Nm (115 kgf.m) at 1,500 rpm	
	Bore and Stroke	mm 122 X 150 mm	
	Fuel Injection System	In-line, Jerk Type, Automatic Timer and Mechanical Governor	
	Air Intake System	Turbo Charged Intercooled	
Clutch	Max. Engine Speed	rpm 2,300	
	Type	Dry Single Plate with Damper Springs	
	Control	Hydraulic with Air Booster	
Transmission	Diameter	mm 430	
	Model	M009	HK06S
	Type	Nine (9) Forward and One (1) Reverse Speeds, Overdrive, Synchronesh 2nd - 9th	Six (6) Forward and One (1) Reverse Speeds, Overdrive, Synchronesh 2nd - 6th
Axle	Control	Mechanical Control	
	Front Type	Reversed Elliot, "I" Section Beam	
	Capacity	kg 6,500	
	Rear Type	Tandem Axle, Dual Drive with Inter Axle Differential, Full-Floating, Single Reduction, Single Speed by Hypoid Gearing	
Brake	Capacity	kg 20,000	
	Service Brake Type	"S" Cam Type, Leading and Trailing Shoes for Front and Rear	
	Service Brake Control	Full Air, Dual Circuits	
	Parking Brake Type	Spring Brake, Acting on Front & Rear Frontward Wheels for Emergency and Parking Brake Purpose	
Suspension	Front Type	Semi-Elliptic Leaf Springs with Single Acting Shock Absorber	
	Rear Type	Trunnion Semi-Elliptic Leaf Springs with Torque Rods	
Steering	Type	Telescopic and Tilt Steering Column with Locking Device, Recirculating Ball with Hydraulic Booster, Intergral Type	
	Wheel Type	Eight (8) - Stud Wheel (JIS Type)	
Wheels and Tires	Rim Size	22.5 X 8.25	
	Tire Type	Tubeless	
	Tire Size	11R22.5 - 16PR	
	No. of Tires	Eleven (11) [Including One (1) Spare Tire]	
Electrical	Type	24 Volt, Negative Earth	
	Battery	Two (2) X 12 Volt, Series Connection	
	Capacity	243kC (65 A - h) at 20-hour rate	
	Alternator Capacity	24 Volts, 50Amp	
Fuel Tank Capacity	L	300	
<b>PERFORMANCE</b>			
GVW Rating	kg	26,500	
Performance	Max. Speed	km/h	99
	Gradeability	(tan $\theta$ ) %	54.7
Transmission Gear Ratio	1st		10.178
	2nd		6.966
	3rd		5.063
	4th		3.636
	5th		2.633
	6th		1.921
	7th		1.362
	8th		1.000
	9th		0.724
	Reverse		9.874
Rear Axle Carrier	Model	THD17	THD17-3
	Ratio	6.142	7.166
<b>DIMENSION AND MASS</b>			
Chassis Mass (without standard tool set and spare tyre)	Total	kg	7,380
	Front	kg	3,520
	Rear	kg	3,860
Wheelbase	WB	mm	4,130 + 1,300
Overall Length	OL	mm	8,480
Overall Width	OW	mm	2,470
Overall Height	OH	mm	2,845
Cab To Rear Axle Center	CA	mm	3,975
Rear Overhang	ROH	mm	1,700
Road Clearance (at differential case)	RC	mm	245
Front Tire Tread	FT	mm	1,920
Rear Tire Tread	RT	mm	1,860
Turning Radius (on tire)		mm	9,400
Seating Capacity			3

HINO MOTORS SALES (MALAYSIA) SDN. BHD. (Formerly known as HINO MOTORS (MALAYSIA) SDN BHD) is engaged in an ongoing research and development program, and reserves the right to change specification without prior notice in order to pass on to the customer any resulting advances or technical refinements. All specifications of the product are within normal manufacturing allowances and tolerances.



Hino Authorised Dealer :

Ver.03.2013



**HINO MOTORS SALES (MALAYSIA) SDN BHD (187863-U)**  
 (Formerly known as HINO MOTORS (MALAYSIA) SDN BHD)

Head Office, Selangor: Lot PT. 24, Jalan 223, Section 51A, 46100 Petaling Jaya, Selangor Darul Ehsan, Malaysia. Tel: (603) 7957 5199 (12 lines) Fax: (603) 7954 3276  
 Branch, Sarawak: Lot 1076, Block 218, 4th Mile, Penrissen Road, 93250 Kuching, Sarawak, Malaysia. Tel: (082) 451 611 (5 lines) Fax: (082) 451 993  
 Regional Office, Sabah: Lot 17, 1st Floor, Block B, Bundusan Square, Jalan Bundusan, 88300 Kota Kinabalu, Sabah, Malaysia. Tel: (088) 733 222 Fax: (088) 733 223



**24 HOURS**  
**BREAKDOWN SERVICE**  
**FOR TRUCKS**  
 Applicable to West Malaysia  
**Toll Free: 1800-88-3666**  
 \*Terms and Conditions Apply



AIM FOR CUSTOMER **TRUST AND CONFIDENCE**

[www.hino.com.my](http://www.hino.com.my)

AIM FOR CUSTOMER **TRUST AND CONFIDENCE**

### Optimized Cab Space

Better visibility and operability, spacious and quality interior provide drivers the comfort they need.



### Air Suspension Driver Seat

The seat provides a variety of adjustments for a suitable and relaxed driving position.



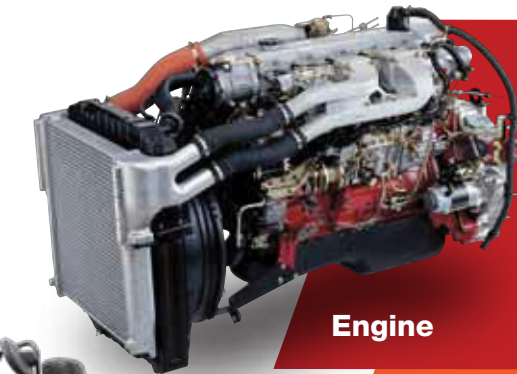
### Cab Accessibility

The larger door openings and footsteps allow easy access to enter and exit.



### Aerodynamic

Its sleek smooth form is based on our aerodynamic research which helps enhance fuel efficiency.



### EURO 2

#### P11C-UB

Displacement :  
10520cc, 6-cylinder in-line,  
turbo-charged intercooler  
E/G Output :  
235kW (320PS) / 2150rpm  
E/G Torque :  
1128Nm (115Kgf.m) / 1500rpm

### Engine



Equipped with Power Window & Central Locking

\* Mixer only applicable for FM2PNPM model only



# HINO 500 SERIES

The HINO 500 Series delivers powerful driving performance, high durability, ergonomic comfort as well as good transport quality and flexible body-building capability. It is designed to be your perfect heavy-duty and reliable business partner truck.

### Door Impact Beams

High-rigidity door impact beams at the side help to increase driver and passenger safety from a side collision.



### Energy-Absorbing Steering Wheel & Column

In the event of a head-on collision, the bendable, energy-absorbing steering wheel and collapsible tilt/telescope steering column help to absorb some of the impact, providing better protection for the driver.



### Full Air Brake System

The air brake system is an effective, very durable braking system for use in high mileage or extreme operating condition.



### Single - Skin Frame

The single skin frame is lighter but sturdy, with improved rust resistance, and more durability and reliability. Couple with the lighter chassis design, its provides greater load capacity

A truck for every application of bodies to suit your type of business

#### Legend

- FM2PNPD
- FM2PNPM
- Drive Axle



■ General Cargo



■ Tipper



■ Roll On Roll off



■ Mixer