

SPECIFICATIONS : GH1J 4X2 RIGID

# HINO 500 SERIES



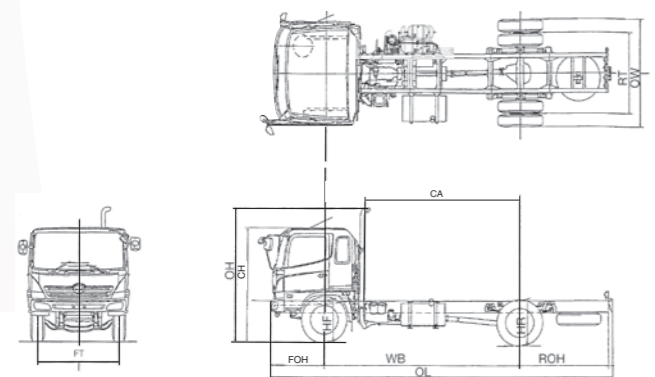
500 Series

GH1JLPD | GH1JMPA | GH1JRPA  
GVW 18,000kg  
4 x 2 RIGID

ITEM	GH1JLPD		GH1JMPA		GH1JRPA	
Engine	Model HINO J08C-TT (Euro 2)					
	Type Diesel, 6-Cylinder, Vertical-In-Line, Overhead Cam Shaft, Water Cooled					
	Displacement L 7.961					
	Max. Output (JIS Gross) Kw(PS)/rpm		191 kW (260 PS) at 2,500 rpm			
	Max. Torque (JIS Gross) Nm(kgfm)/rpm		745 Nm (76 kgf.m) at 1,500 rpm			
	Bore and Stroke mm 114 X 130 mm					
	Fuel Injection System In-line, Jerk Type, Automatic Timer and Mechanical Governor					
Clutch	Air Intake System Turbo Charged Intercooled					
	Max. Engine Speed rpm 2,900					
	Type Dry Single Plate with Damper Springs					
Transmission	Control Hydraulic with Air Booster					
	Diameter mm 380					
	Model Eaton FS6109		MF06S			
Axle	Type Nine (9) Forward and One (1) Reverse Speeds, Synchromesh 1st - 9th					
	Control Mechanical with Power Assistance					
	Type "Reversed Elliot, "I" Section Beam"					
Brake	Front Capacity kg		6,500			
	Rear Capacity kg		12,000			
	Full-Floating, Single Reduction, Single Speed by Hypoid Gearing					
Suspension	Service Brake Type "S" Cam Type, Leading and Trailing Shoes for Front and Rear					
	Service Brake Control Full Air, Dual Circuit					
	Parking Brake Type Spring Brake, Acting on Rear Wheels for Emergency and Parking Brake Purpose					
	Exhaust Brake Type Electro-Pneumatic with Valve in Exhaust Pipe					
Steering	ABS Non Equipped					
	Front Type Semi-Elliptic Leaf Springs with Single Acting Shock Absorbers					
Wheels and Tires	Rear Type Semi-Elliptic Leaf Springs					
	Type Telescopic and Tilt Steering Column with Locking Device, Recirculating Ball with Hydraulic Booster, Intergral Type					
	Wheel Type Ten (10) - Stud Wheel (ISO Type)					
	Rim Size 22.5 X 8.25					
	Tire Type Tubeless					
	Tire Size 11R22.5 - 16PR					
	No. of Tires Seven (7) [Including One (1) Spare Tire]					
Electrical	Type 24 Volt, Negative Earth					
	Battery Two (2) X 12 Volt, Series Connection					
	Capacity 243kC (65 A - h) at 20-hour rate					
Fuel Tank Capacity	L		300			
<b>PERFORMANCE</b>						
GVW Rating	kg		18,000			
Performance	Max. Speed km/h		120		105	
	Gradeability (tan $\theta$ ) %		57.4		34.8	
Transmission Gear Ratio	1st		12.637		7.395	
	2nd		8.806		4.758	
	3rd		6.550		3.076	
	4th		4.768		1.936	
	5th		3.548		1.341	
	6th		2.481		1.000	
	7th		1.845		-	
	8th		1.343		-	
	9th		1.000		-	
	Reverse		13.210		7.142	
Rear Axle Carrier	Model SH17		SH17-6			
	Ratio 4.625		5.250			
<b>DIMENSION AND MASS</b>						
Chassis Mass (without standard tool set and spare tyre)	Total kg		5,140		5,175	
	Front kg		2,930		3,000	
	Rear kg		2,210		2,175	
Wheelbase	WB mm		4,830		5,780	
Overall Length	OL mm		8,555		9,730	
Overall Width	OW mm		2,445			
Overall Height	OH mm		3,130			
Cab To Rear Axle Center	CA mm		3,895		4,845	
Rear Overhang	ROH mm		2,375		2,600	
Road Clearance (at differential case)	RC mm		245			
Front Tire Tread	FT mm		1,915			
Rear Tire Tread	RT mm		1,840			
Turning Radius (on tire)			8,400		9,900	
Seating Capacity			3			



Hino Authorised Dealer :



Ver.03.2013

**HINO MOTORS SALES (MALAYSIA) SDN BHD (187863-U)**  
(Formerly known as HINO MOTORS (MALAYSIA) SDN BHD)

Head Office, Selangor: Lot PT. 24, Jalan 223, Section 51A, 46100 Petaling Jaya, Selangor Darul Ehsan, Malaysia. Tel: (603) 7957 5199 (12 lines) Fax: (603) 7954 3276  
Branch, Sarawak: Lot 1076, Block 218, 4th Mile, Penrissen Road, 93250 Kuching, Sarawak, Malaysia. Tel: (082) 451 611 (5 lines) Fax: (082) 451 993  
Regional Office, Sabah: Lot 17, 1st Floor, Block B, Bundusan Square, Jalan Bundusan, 88300 Kota Kinabalu, Sabah, Malaysia. Tel: (088) 733 222 Fax: (088) 733 223

**24 HOURS BREAKDOWN SERVICE FOR TRUCKS**  
Applicable to West Malaysia  
Toll Free: 1800-88-3666  
\*Terms and Conditions Apply

**TRUCK OF THE YEAR 2012**  
NEW STRAITS TIMES  
AIM FOR CUSTOMER TRUST AND CONFIDENCE



### Optimized Cab Space

Better visibility and operability, spacious and quality interior provide drivers the comfort they need.



### Air Suspension Driver Seat

The seat provides a variety of adjustments for a suitable and relaxed driving position.



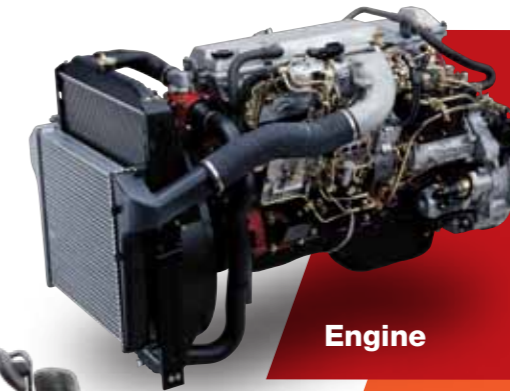
### Cab Accessibility

The larger door openings and footsteps allow easy access to enter and exit.



### Aerodynamic

Its sleek smooth form is based on our aerodynamic research which helps enhance fuel efficiency.



### EURO 2

**J08C-TT**  
 Displacement : 7961cc, 6-cylinder in-line, Turbo-Charged Intercooler  
 E/G Output : 191kW (260PS) / 2500rpm  
 E/G Torque : 745 Nm (76 kgf.m) / 1500rpm

### Engine



Equipped with Power Window & Central Locking



# HINO 500 SERIES

The HINO 500 Series delivers powerful driving performance, high durability, ergonomic comfort as well as good transport quality and flexible body-building capability. It is designed to be your perfect heavy-duty and reliable business partner truck.

### Door Impact Beams

High-rigidity door impact beams at the side help to increase driver and passenger safety from a side collision.



### Energy-Absorbing Steering Wheel & Column

In the event of a head-on collision, the bendable, energy-absorbing steering wheel and collapsible tilt/telescope steering column help to absorb some of the impact, providing better protection for the driver.



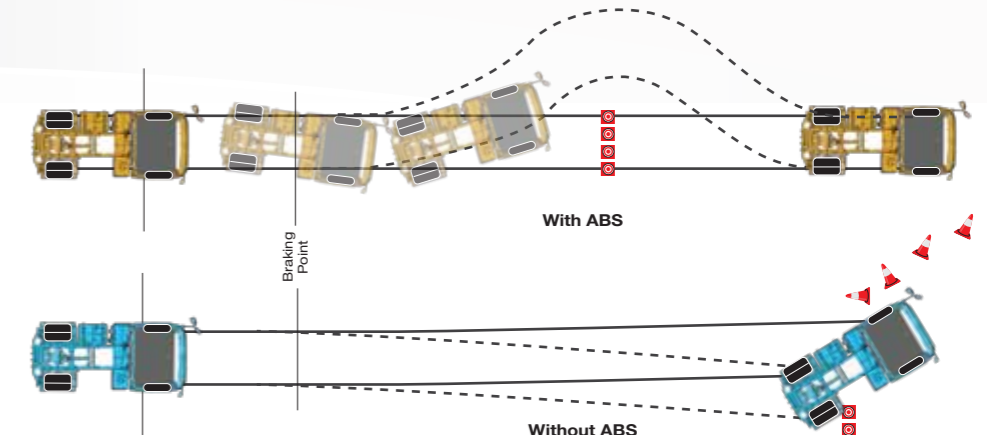
### Full Air Brake System

The air brake system is an effective, very durable braking system for use in high mileage or extreme operating condition.



### ABS: Antilock Braking System (Only for GH1JRPC Model)

ABS helps the driver maintain control of the vehicle when braking on a slippery surface by selectively controlling the braking force of individual wheels in order to prevent the wheels from locking.



Note: Some images may be used for illustration purposes only.

### A truck for every application of bodies to suit your type of business

**Legend**

- GH1JLPD
- GH1JMPA
- GH1JRPA
- Drive Axle

General Cargo	Box	Curtain Sider	Refrigerated	Tipper
Fixed Sided	Crane Cargo	Roll On Roll off	Tanker	Garbage Compactor